

INSTALLATION INSTRUCTIONS

A) Stretching and removing bungee cords requires strength and proper balance. **DO NOT** let go of bungee cords when under tension; an eye injury or other types of bodily injury could occur. **ALWAYS** wear safety glasses and the proper protective clothing.

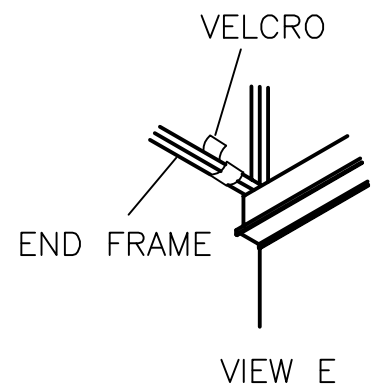
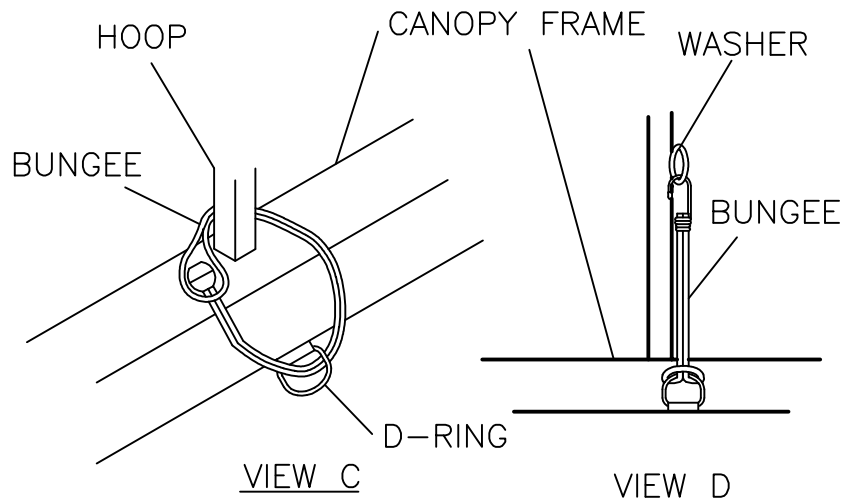
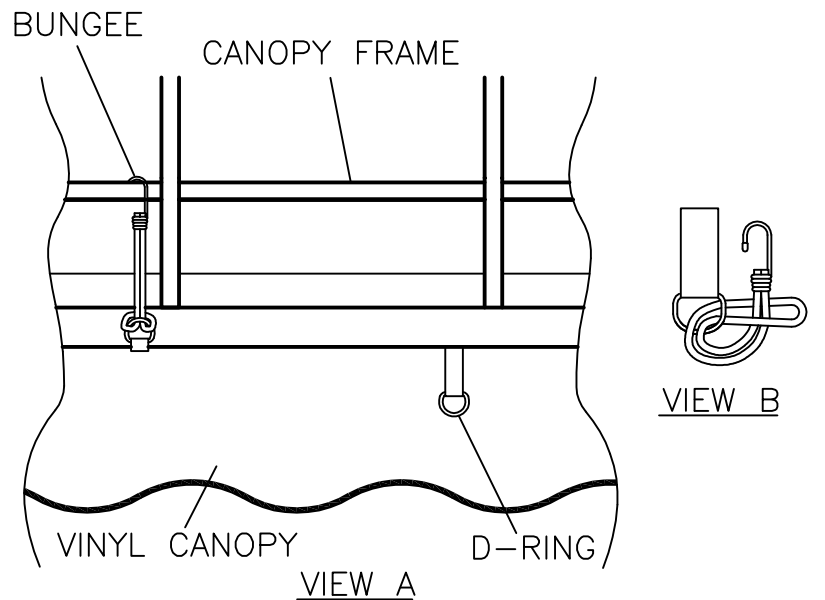
B) Vinyl canopy cover is a hazard if exposed to high wind! **DO NOT** attach vinyl canopy to canopy frame if wind affects your ability to safely fasten. **DO NOT** leave vinyl canopy unattended on frame when attaching.

C) Unroll the fabric canopy over the hoops of the frame. Make sure the fabric is straight on the frame with equal amounts of overhang on each side. The canopy is attached to the frame using one of four methods, depending on the style of canopy frame:

- 1) **ShoreMaster** - Take the bungee loop and insert it through the D-ring on the canopy attachment. Then, loop the hook back through the bungee loop, pull it up and hook it on the cross member of the canopy frame. See Views A & B.
- 2) **Hewitt** - Hewitt canopies utilize two attachment methods.
 - a) On the sides, take the looped end of the bungee and run it through the D-ring on the canopy attachment, around the back of the hoop, and hook it around the ball on the end of the bungee. See View C.
 - b) On the ends, take the bungee loop and insert it through the D-ring on the canopy attachment. Then, loop the hook back through the bungee loop, pull it up and hook it on the washer that is welded to the canopy frame. See Views B & D.
- 3) **Floe** - Attach the Floe canopy in the same manner as the Hewitt canopy in View C. Attach the canopy to the end of the frame by wrapping the Velcro around the end frame member. See View E.
- 4) **Newmans** - Attach the Newmans canopy in the same manner as the ShoreMaster canopy in Views A & B.

D) Severe or strong winds can pick up a boat, lift and canopy. This would cause damage to equipment and injury to anyone in its path. Position your boat up within canopy frame to provide protection and reduce chance of severe winds circulating inside frame.

E) **DO NOT** leave vinyl on canopy frame unless boat lift is firmly in place. Sink lift leg pads into the lake bottom. Settling is helped by leaving boat on lift for several days and covering lift leg pads with the lake bottom soil. These steps provide a suction effect.



SEE UNDER SIDE OF CANOPY FOR CARE & MAINTENANCE INSTRUCTIONS

WWW.SHURCOMARINE.COM
 CALL TOLL-FREE: 1-877-330-0512
 SHUR-CO MARINE
 P.O. BOX 713
 YANKTON, SD 57078



P/N: 1203213
 REV: A